

1. Specifications & Dimension

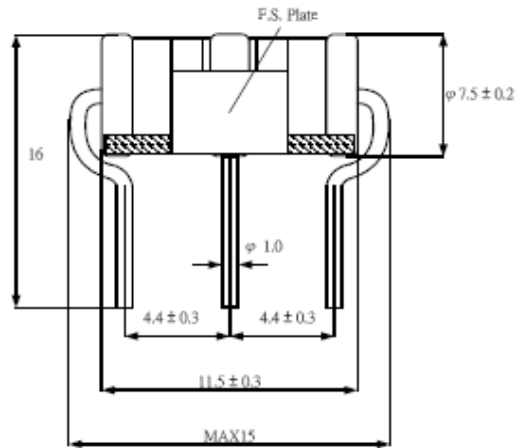
1.1. Parts No.:

ARR-MM075L-FAA

1.2. Specifications:

- DC Breakdown Voltage: $75V \pm 15\%$ (@rising voltage 100V/s)
- Surge Breakdown Voltage: $\leq 650V$ (@rising voltage 1000V/ μ s)
- Life Tests:
 - AC Discharge Current: 10A (5 times, 1s per time with 3mins interval)
 - Surge Discharge Current:
 - 100A (10/1000 μ s, 300times with 3mins interval)
 - 10kA (8/20 μ s, 10times with 3mins interval)
- Insulation Resistance: $\geq 10000M\Omega$
- Electrode Capacitance: ≤ 1.5 pF (@1MHz)

1.3. Dimension: (unit:mm)



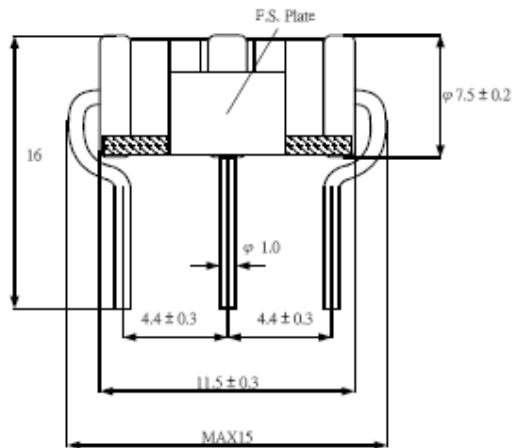
1.1. Parts No.:

ARR-MM150L-FAA

1.2. Specifications:

- DC Breakdown Voltage: $150V \pm 15\%$ (@rising voltage $100V/s$)
- Surge Breakdown Voltage: $\leq 700V$ (@rising voltage $1000V/\mu s$)
- Life Tests:
 - AC Discharge Current: 10A (5 times, 1s per time with 3mins interval)
 - Surge Discharge Current:
 - 100A (10/1000 μs , 300times with 3mins interval)
 - 10kA (8/20 μs , 10times with 3mins interval)
- Insulation Resistance: $\geq 10000M\Omega$
- Electrode Capacitance: $\leq 1.5 pF$ (@1MHz)

1.3. Dimension: (unit:mm)



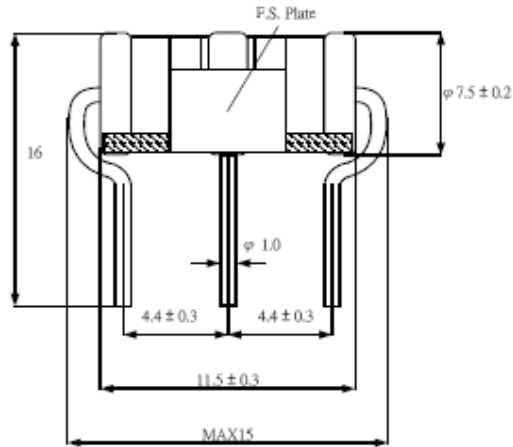
1.1. Parts No.:

ARR-MM350L-FAA

1.2. Specifications:

- DC Breakdown Voltage: $350V \pm 15\%$ (@rising voltage 100V/s)
- Surge Breakdown Voltage: $\leq 900V$ (@rising voltage 1000V/ μ s)
- Life Tests:
 - AC Discharge Current: 10A (5 times, 1s per time with 3mins interval)
 - Surge Discharge Current:
 - 100A (10/1000 μ s, 300times with 3mins interval)
 - 10kA (8/20 μ s, 10times with 3mins interval)
- Insulation Resistance: $\geq 10000M\Omega$
- Electrode Capacitance: ≤ 1.5 pF (@1MHz)

1.3. Dimension: (unit:mm)



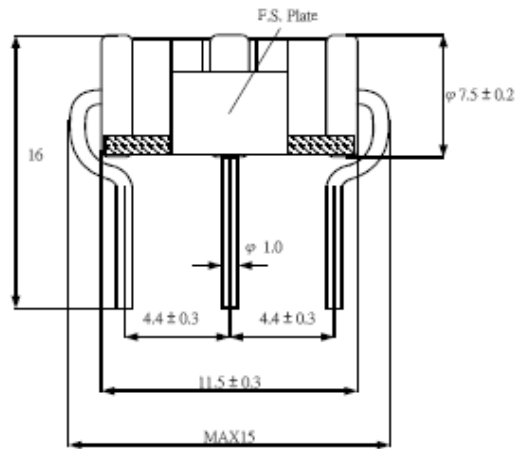
1.1. Parts No.:

ARR-MM600L-FAA

1.2. Specifications:

- DC Breakdown Voltage: $600V \pm 15\%$ (@rising voltage 100V/s)
- Surge Breakdown Voltage: $\leq 1200V$ (@rising voltage 1000V/ μ s)
- Life Tests:
 - AC Discharge Current: 10A (5 times, 1s per time with 3mins interval)
 - Surge Discharge Current:
 - 100A (10/1000 μ s, 300times with 3mins interval)
 - 10kA (8/20 μ s, 10times with 3mins interval)
- Insulation Resistance: $\geq 10000M\Omega$
- Electrode Capacitance: ≤ 1.5 pF (@1MHz)

1.3. Dimension: (unit:mm)



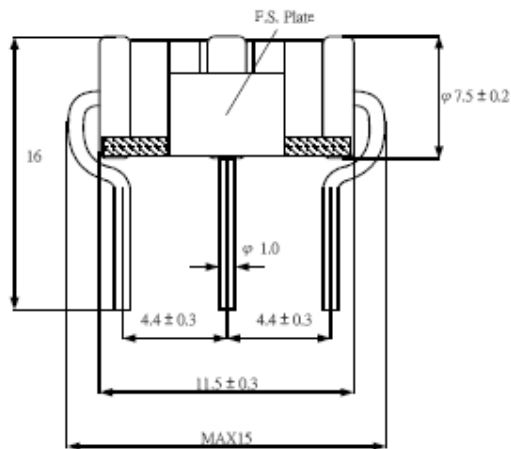
1.1. Parts No.:

ARR-MM090L-FAA

1.2. Specifications:

- DC Breakdown Voltage: $90V \pm 15\%$ (@rising voltage 100V/s)
- Surge Breakdown Voltage: $\leq 700V$ (@rising voltage 1000V/ μ s)
- Life Tests:
 - AC Discharge Current: 10A (5 times, 1s per time with 3mins interval)
 - Surge Discharge Current:
 - 100A (10/1000 μ s, 300times with 3mins interval)
 - 10kA (8/20 μ s, 10times with 3mins interval)
- Insulation Resistance: $\geq 10000M\Omega$
- Electrode Capacitance: ≤ 1.5 pF (@1MHz)

1.3. Dimension: (unit:mm)



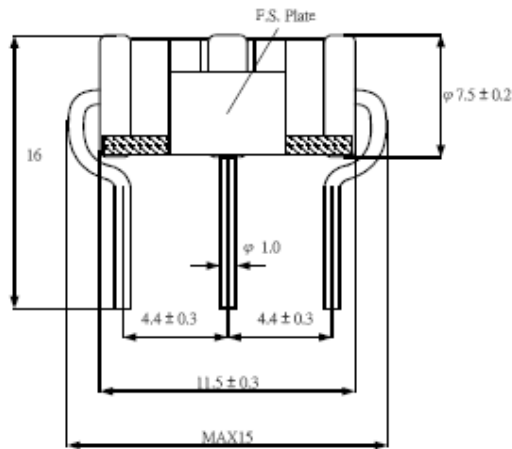
1.1. Parts No.:

ARR-MM230L-FAA

1.2. Specifications:

- DC Breakdown Voltage: $230V \pm 15\%$ (@rising voltage 100V/s)
- Surge Breakdown Voltage: $\leq 700V$ (@rising voltage 1000V/ μ s)
- Life Tests:
 - AC Discharge Current: 10A (5 times, 1s per time with 3mins interval)
 - Surge Discharge Current:
 - 100A (10/1000 μ s, 300times with 3mins interval)
 - 10kA (8/20 μ s, 10times with 3mins interval)
- Insulation Resistance: $\geq 10000M\Omega$
- Electrode Capacitance: ≤ 1.5 pF (@1MHz)

1.3. Dimension: (unit:mm)



1.1. Parts No.:

ARR-MM470L-FAA

1.2. Specifications:

- DC Breakdown Voltage: $470V \pm 15\%$ (@rising voltage 100V/s)
- Surge Breakdown Voltage: $\leq 1000V$ (@rising voltage 1000V/ μ s)
- Life Tests:
 - AC Discharge Current: 10A (5 times, 1s per time with 3mins interval)
 - Surge Discharge Current:
 - 100A (10/1000 μ s, 300times with 3mins interval)
 - 10kA (8/20 μ s, 10times with 3mins interval)
- Insulation Resistance: $\geq 10000M\Omega$
- Electrode Capacitance: ≤ 1.5 pF (@1MHz)

1.3. Dimension: (unit:mm)

