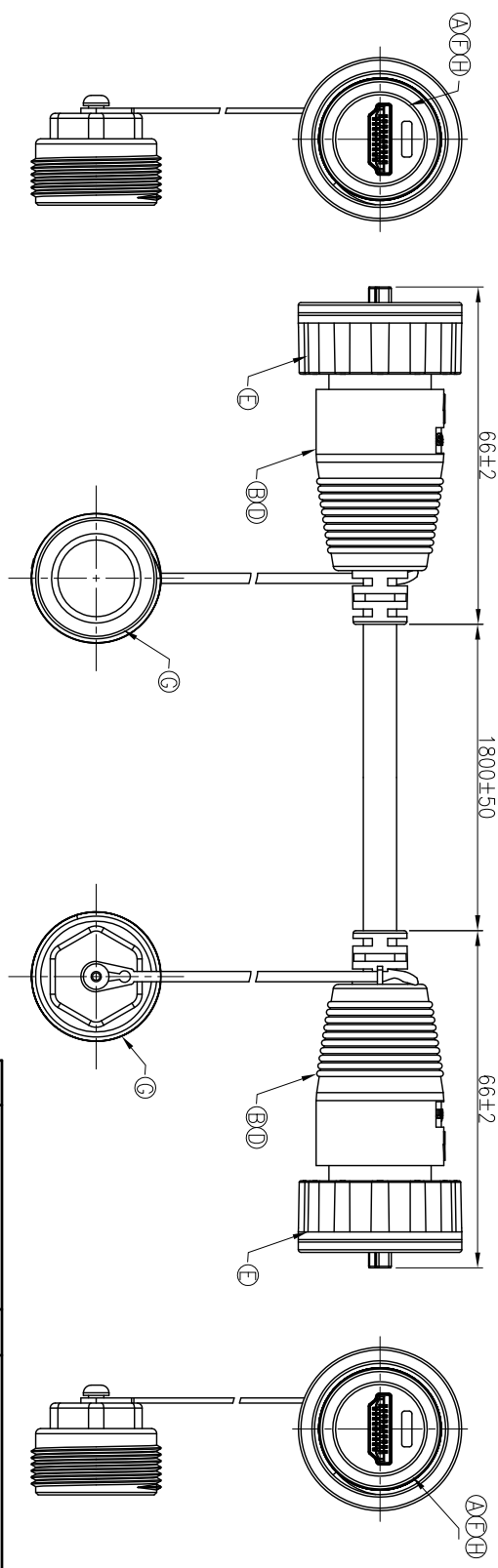
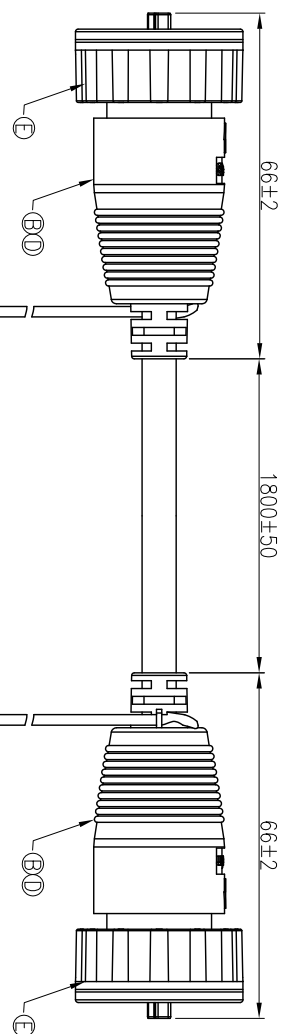
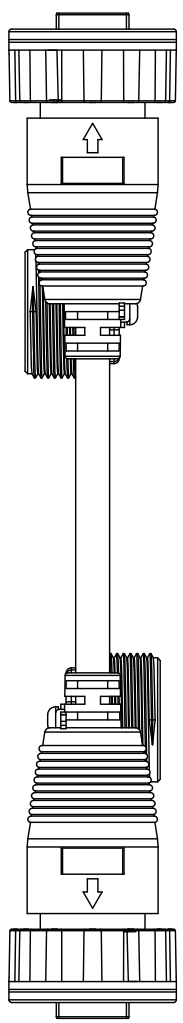
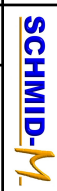


REV.	ECN NO. OR DESCRIPTION	REVISED	DATE
A		Harlen	2018-01-26



NO	DESCRIPTION	QTY	MATERIAL	PLATING & COLOR
H	BODY	2	PA66	BLACK
G	CAP	2	WATERPROOF CAP	BLACK
F	GASKET	2	SILICONE	BLACK
E	SCREW NUT	2	PA66	BLACK
D	OVER MOLD	2	PVC	BLACK
C	CABLE	1	[(1P*30AWG+D+AL+Trans.Mylor) <sup>*</sup> *4+1P*30AWG+5C*30AWG]+AL +B 005.5 U.120276	BLACK(PVC JACKET)
B	INNER MOLD	2	TPU	NATURAL
A	CONNECTOR	2	HDMI PLUG 19PIN	GOLD FLASH
NO	DESCRIPTION	QTY	MATERIAL	PLATING & COLOR



SM C10 3002 29 HDMI, Mated with Cable 1800mm.

TITLE	SM C10 3002 29 HDMI, Mated with Cable 1800mm.		
DWN	Harlen	SCALE 1:1	UNIT: mm
CHKD	JF	SCALE 1:1	UNIT: mm
APVD	Steve	SIZE: A3	SHEET: 1 OF 2 REV: A

- NOTES:
1. ELECTRICAL CHARACTERISTICS:
- 1-1 CURRENT RATING: 0.5 AMPS.
  - 1-2 VOLTAGE RATING: 30V.
  - 1-3 CONTACT RESISTANCE: 3 Ohm Max.
  - 1-4 INSULATION RESISTANCE: 10 MOhm Min. at 150VDC.(MATED)
  - 1-5 BREAKDOWN VOLTAGE: 300 VAC PER MINUTE.(MATED)
2. ENVIRONMENTAL:
- 2-1 OPERATING TEMPERATURE: -20°C TO +80°C.
  - 2-2 SEALING REQUIREMENTS: IP67.
3. FOR TECHNICAL DATA REFER TO YOUR LOCAL SINGATRON ELECTRONICS SALES OFFICE.
4. ALL DIMENSIONS ARE NOMINAL FOR REFERENCE ONLY UNLESS OTHERWISE STATED.
5. TO CONFORM TO SINGATRON HAZARDOUS SUBSTANCE FREE SPEC.
6. GREEN PRODUCT IDENTIFICATION LABEL ON PACKAGING: **GR PASS**.

REV.	ECN NO. OR DESCRIPTION	REVISED	DATE
A		Harden	2018-01-26

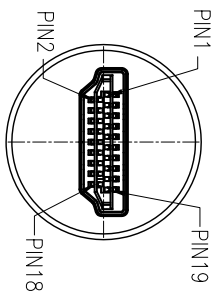
NO.	DESCRIPTION	QTY	MATERIAL	PLATING & COLOR
20	SHIELD		BRAID	20
19	Hot Plug Detect		BLUE	19
18	+5V Power		GREEN	18
17	DDC/CEC Ground		PURPLE	17
16	SDA		YELLOW	16
15	SCL		ORANGE	15
14	Reserved		WHITE	14
13	CEC		RED	13
12	TMDS Clock-		BLUE	12
11	TMDS Clock Shield		DRAIN	11
10	TMDS Clock+		WHITE	10
9	TMDS Data0-		GREEN	9
8	TMDS Data0 Shield		DRAIN	8
7	TMDS Data0+		WHITE	7
6	TMDS Data1-		RED	6
5	TMDS Data1 Shield		DRAIN	5
4	TMDS Data1+		WHITE	4
3	TMDS Data2-		BROWN	3
2	TMDS Data2 Shield		DRAIN	2
1	TMDS Data2+		WHITE	1
Conn.1				
Signal Name				
CABLE				
Conn.2				

Twist (1P\*30AWG+D+AL+Trans.Mylar)

Twist (1P\*30AWG+D+AL+Trans.Mylar)

Twist (1P\*30AWG+D+AL+Trans.Mylar)

Twist (1P\*30AWG+D+AL+Trans.Mylar)



PIN ASSIGNMENTS  
FRONT VIEW

Conn.1/2

NO.	DESCRIPTION	QTY	MATERIAL	PLATING & COLOR
UNLESS OTHERWISE SPECIFIED TOLERANCES				
S/N C10 3002 29 HDMI, Molded with Cable 1800mm.				
TITLE 2xHDMI Plug				
DWN	Harlen			
CHKD	JF		SCALE 1:1	UNIT: mm
APVD	Steve		SIZE: A3	SHEET: 2 OF 2
REVISION: A				

DECIMALS: X :±0.5 X :±2°  
X.X :±0.3 X.X :±1°  
X.XX :±0.2