

1

2

3

4

5

6

7

8

A

B

C

D

E

F

G

H

A

B

C

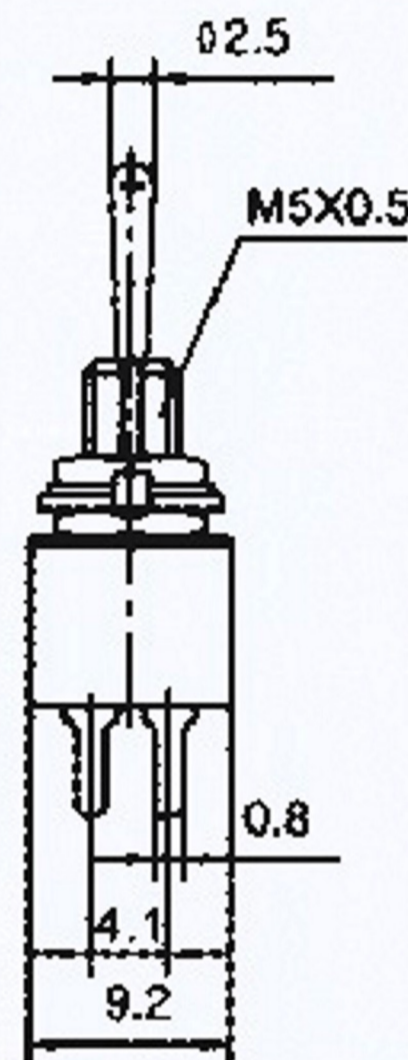
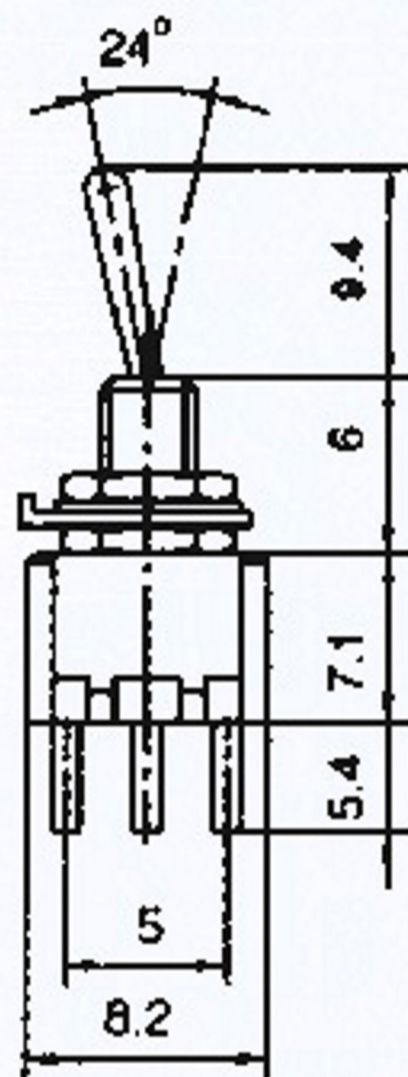
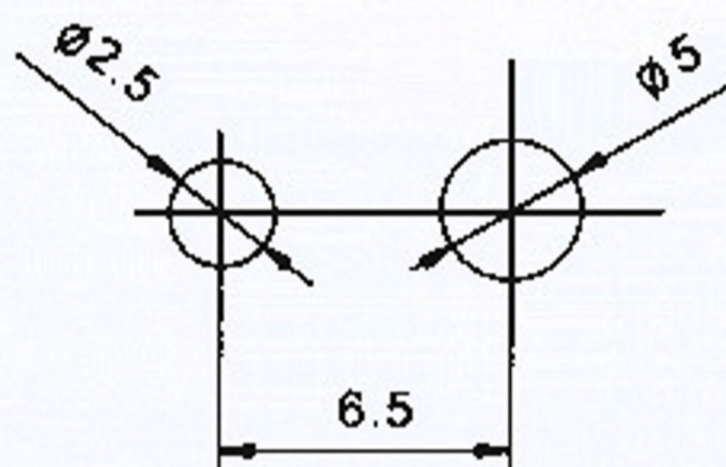
D

E

F

G

H



Electrical:

Dielectric strength:	1000V AC for 1 minute
Rating:	3A 125V AC
	1.5A 250V AC
Insulation resistance:	1000MΩ min 500 V DN
Contact resistance:	20 mΩ max

Mechanical:

Operation temperature:	(-)25°C to +85°C
Operating life:	electrical life 10000 cycles
Switching positions:	ON-ON
Circuit:	DPDT
Quantity contacts:	6P



<p>RoHS Compliant</p> <p>SCHMID-M</p>		<p>PART NAME</p> <p>Sub-Miniature Toggle Switch Double Pole Double Throw, 6P, ON-ON</p>	
<p>APPD.</p> <p>DWG. HELEN</p> <p>DATE 2011/5/31</p>	<p>TOLERANCE</p> <p>SCALE</p> <p>UNIT M M</p> <p>PAGE 1 OF 1</p>	<p>SIZE A 4</p> <p>REV. A</p>	<p>PART NO.</p> <p>SM-SMTS-202-A2</p>

1

2

3

4

5

6

7

8