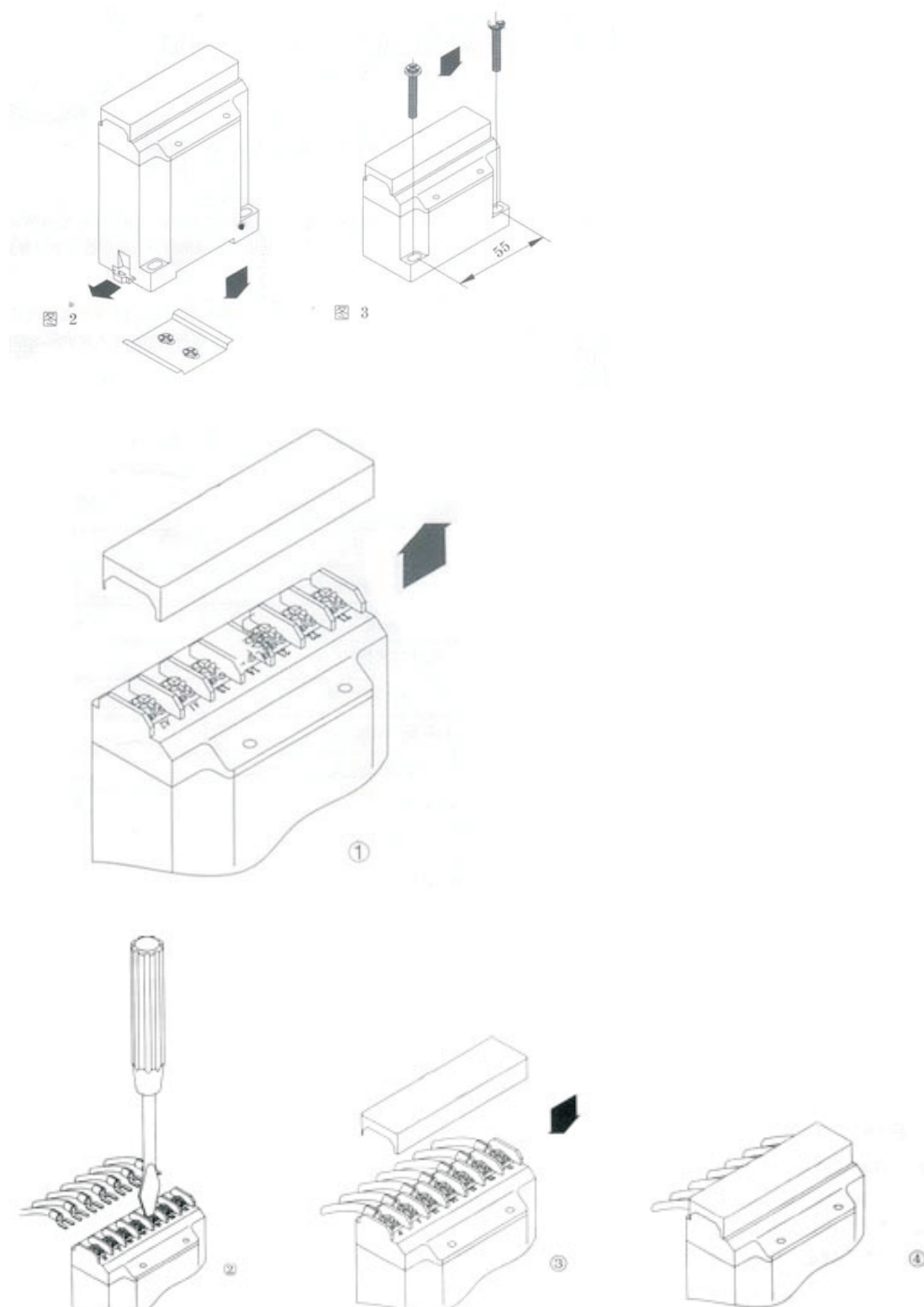
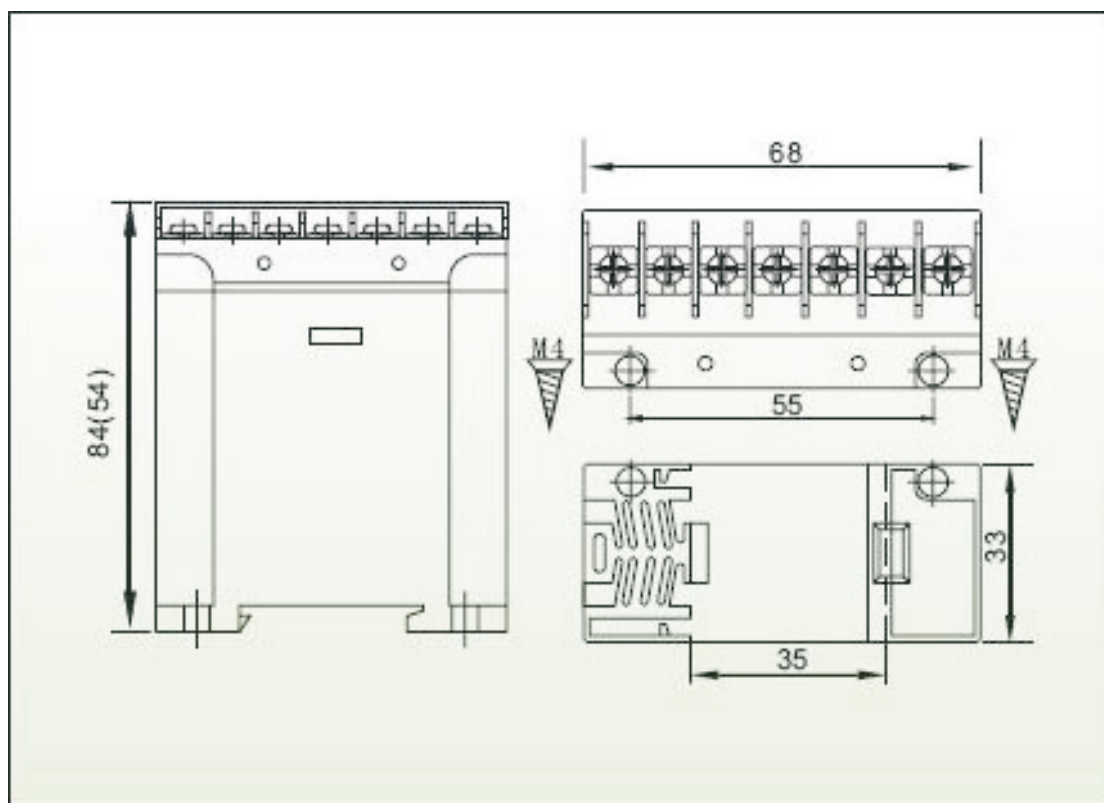
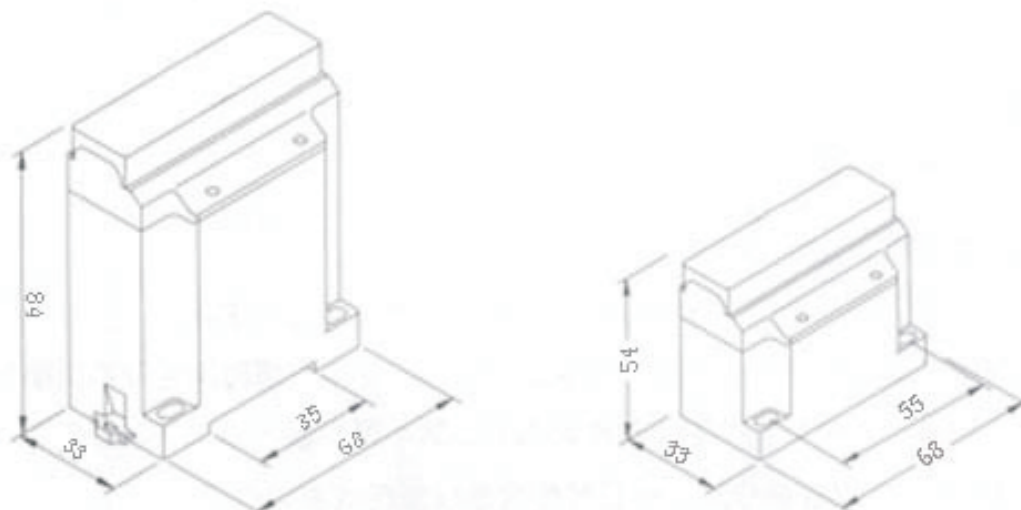


Installation



Dimension



Application

This product is used together with PTC temperature sensors. They are widely used to protect big and medium-size, open and close-type motors from damage caused by overheating. They can also be used inside the high/low transformers and radiators to protect from overheating.

Features

Adopted the advanced thick-film circuit technology to make the protectors. They are shock proof, dampproof, anti-corrosive, sensitive and reliable in operation.

Technical data

Operating voltage: 220V/110V±10%

230V/115V±10% 50/60Hz DC24V

Insulation strength 2.5KV 1 min without breakdown

Power consumption 1W

Range of protected temperature 30°C--180°C

Capacity of contact point 6A

Indication of type

4K Resistance value of controlled point
